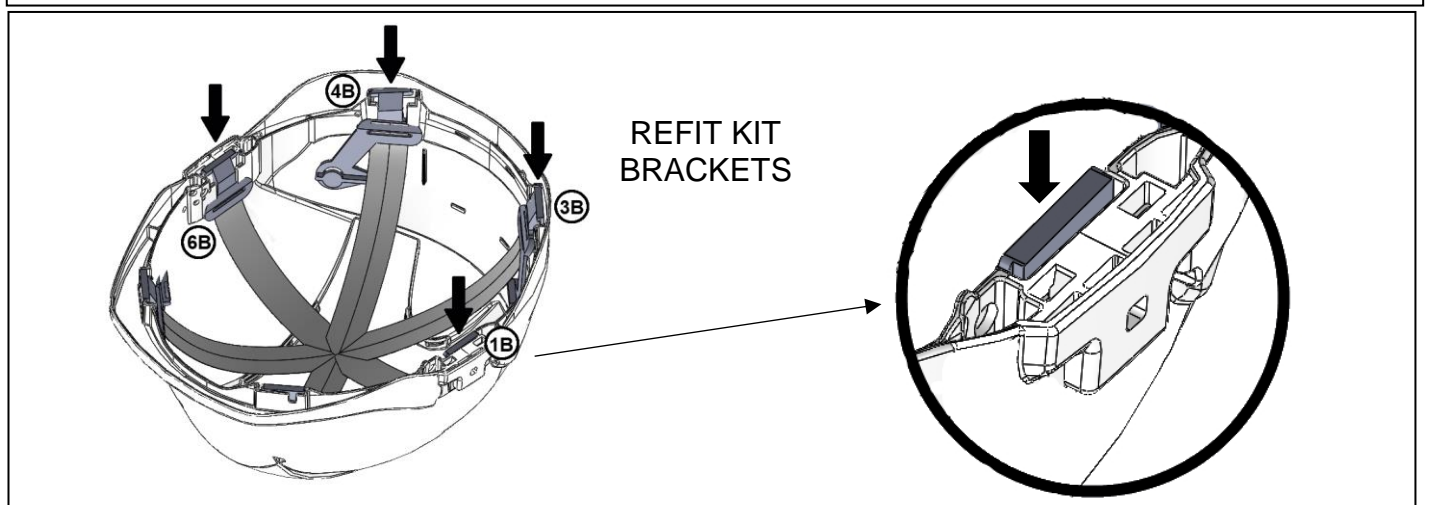
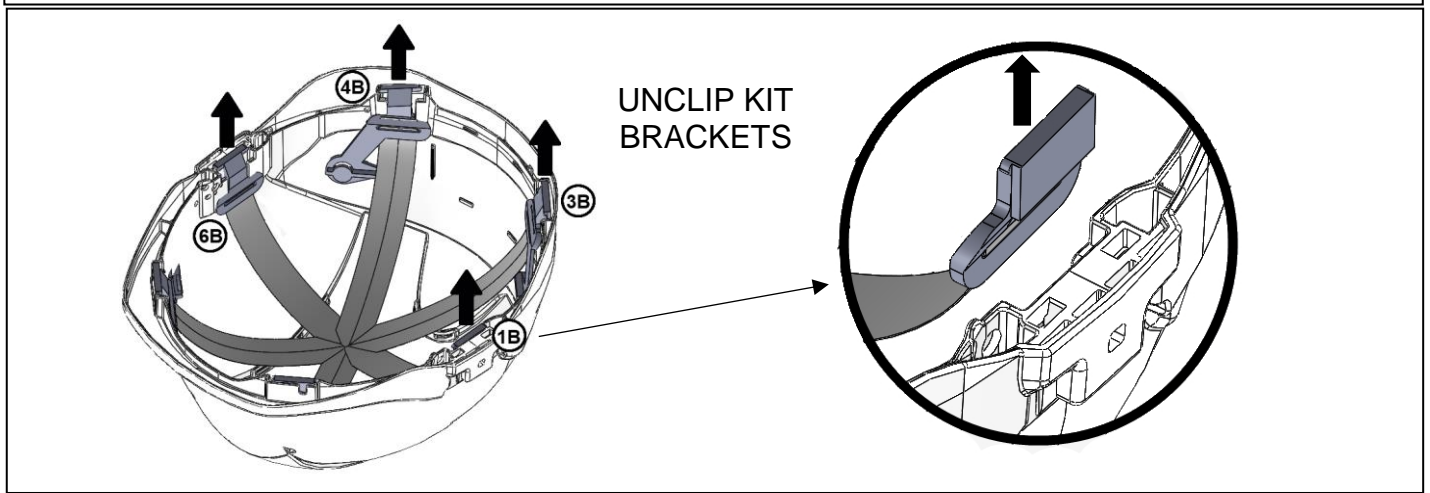
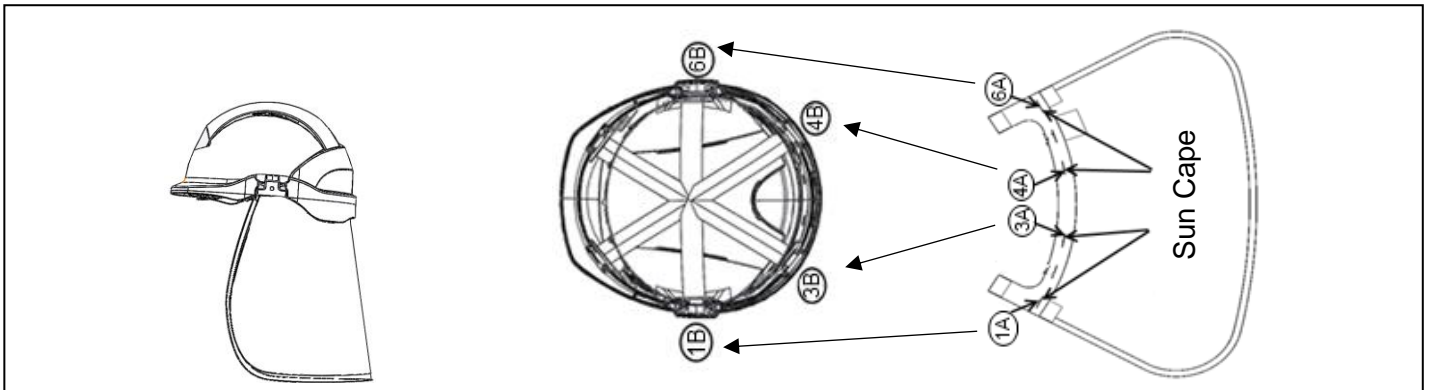


# FITTING INSTRUCTIONS FOR SUN CAPE (S51HVY / S51HVO)

For fitting to 1100/1125, Concept, Vision, Vision Plus, Nexus and Spectrum helmets



Centurion Safety Products Ltd  
T: +44 (0) 1842 754266 | F: +44 (0) 1842 765590 | sales@centurionsafety.co.uk  
21 Howlett Way, Thetford, Norfolk, IP24 1HZ, England

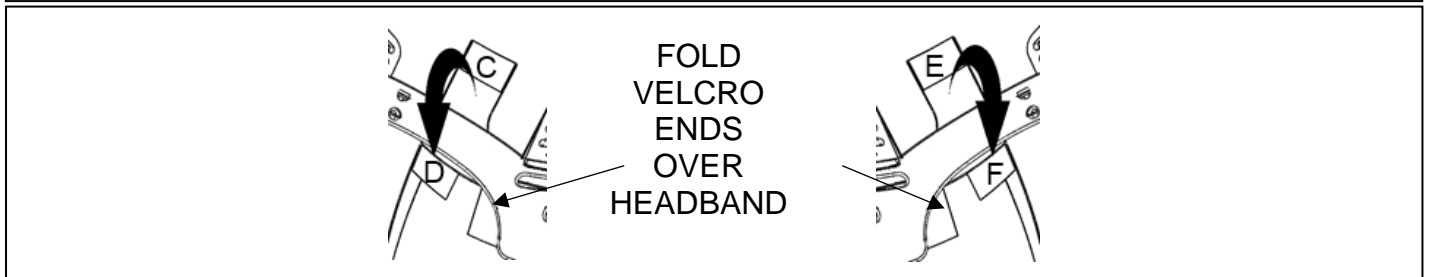
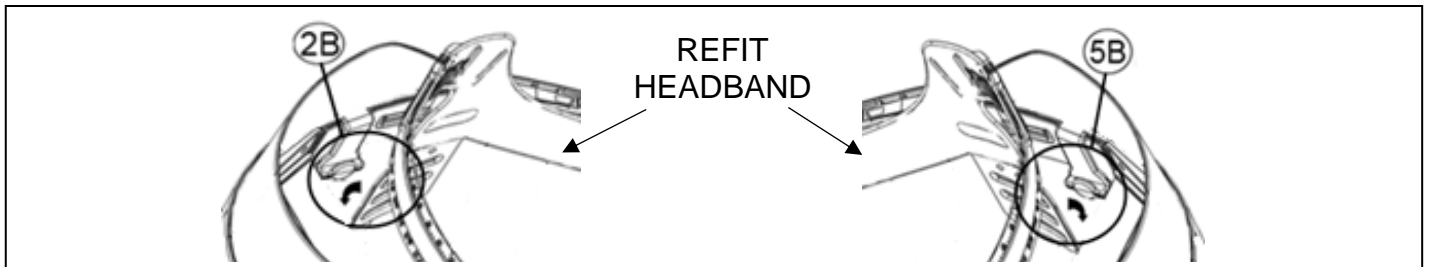
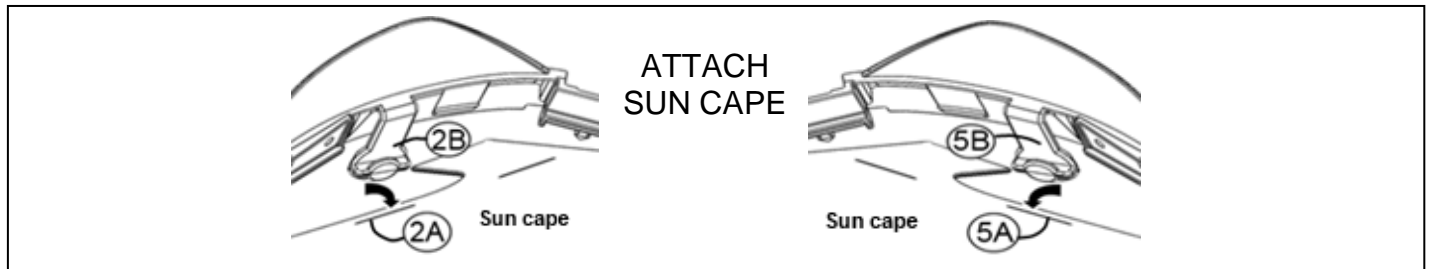
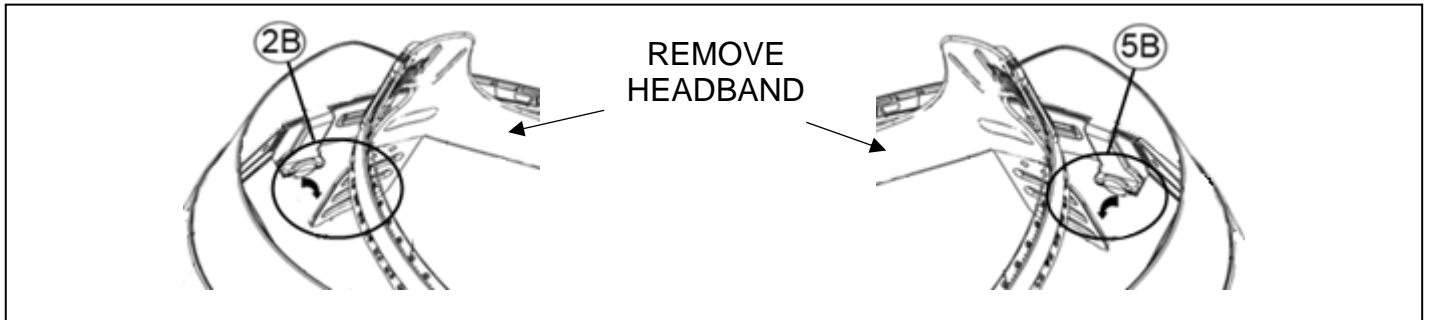
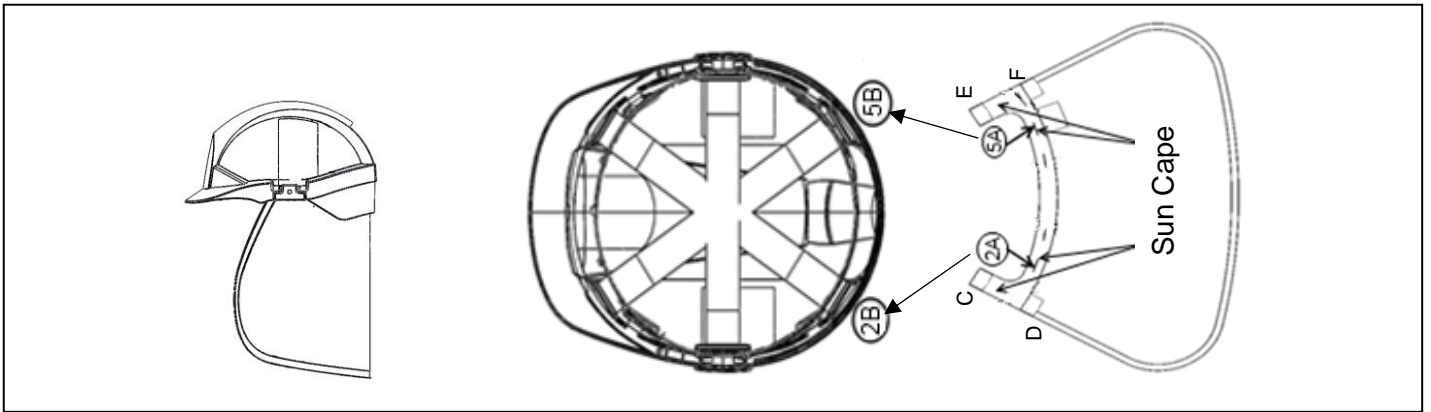
Registered in England and Wales No:13067

centurionsafety.eu

S51 REV.: 06/17



## For fitting to Reflex helmets



### Storage:

The sun cape should be stored in a cool, dry ventilated area in the original packaging and can be stored in the dark for up to 5 years. Do not store in direct/high heat or sunlight.

Centurion Safety Products Ltd  
 T: +44 (0) 1842 754266 | F: +44 (0) 1842 765590 | sales@centurionsafety.co.uk  
 21 Howlett Way, Thetford, Norfolk, IP24 1HZ, England

Registered in England and Wales No:13067

centurionsafety.eu

S51 REV.: 06/17

